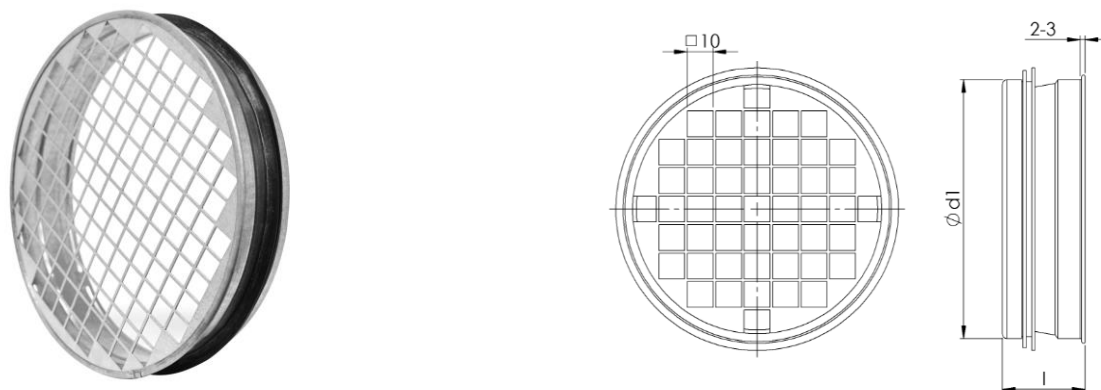


Take-off with mesh ESN / ESNS



Description

Metal air duct take-off with mesh. Male type end connection.

ESN – take-off without sealing

ESNS – take-off with sealing

Technical data

Construction Material galvanized steel or other metal.
 Sealing made from EPDM rubber.
 Standard insertion length 33 mm and 43 mm, optionally can be ordered in other lengths.

Dimensions

Type	$\varnothing d_{1\text{nom}}$ [mm]	l [mm]	m [kg]
ESN80	80	33	0.04
ESN100	100	33	0.05
ESN125	125	33	0.07
ESN150	150	33	0.085
ESN160	160	33	0.09
ESN180	180	33	0.10
ESN200	200	33	0.12
ESN250	250	43	0.19
ESN315	315	43	0.24
ESNS80	80	33	0.05
ESNS100	100	33	0.06
ESNS125	125	33	0.08
ESNS150	150	33	0.10
ESNS160	160	33	0.11
ESNS180	180	33	0.12
ESNS200	200	33	0.14
ESNS250	250	43	0.21
ESNS315	315	43	0.28